

Pressure Gauges / Capsule Diaphragm Gauges / Standard Types / Ø 100 mm.

CONSTRUCTIVE PROPERTIES

	STANDARD	OPTIONAL
Mounting Type	Bottom Connection	See Technical Drawing
Scale Unit	mbar	-
Scale Range (PN)	0/16 0/25 0/40 0/60 0/100 0/160 0/250 0/400 0/600 0 - 1000	
Vacuum Scale Range	-1000 / 0 -600 / 0 -400 / 0 -250 / 0 -160 / 0 -100 / 0 -60 / 0 -40 / 0 -25 / 0 -16 / 0	
Case	Steel (Yellow Enamel)	Stainless Steel AISI-304
Bezel	Steel (Yellow Enamel)	Stainless Steel AISI-304
Window	Safety Glass	-
Movement	Brass	-
Wetted Parts	Copper Alloy	-
Connection	G 1/2" B	1/2" NPT
Dial	Aluminum	-
Pointer	Aluminum	-
Welding	Soldering	-
Filling Liquid	-	Glycerine

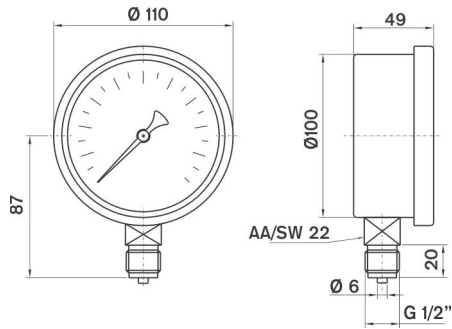


MC100DRM1
Bottom Connection

USAGE PROPERTIES

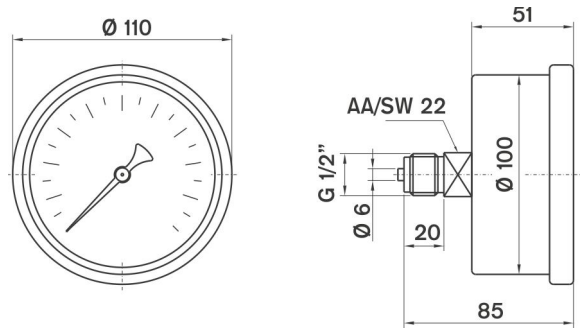
Fluid Temperature	Maximum + 60 °C	-
Ambient Temperature	- 20 ... + 60 °C	-
Operating Pressure (max.)	Must not exceed %75' of full scale.	
Over Pressure Limit	PN x 1.25	-
Accuracy Class	CL 1.6	-
Protection Rate	IP 41	IP 65
Optimum Operating Range	Between 0,1 x PN and 0,75 x PN	
Storage Temperature	-40 ... +70 °C	-
Conformity	EN 837 - 3	-
Mechanical Shock Test Load	15g	-
Mechanical Vibration Test	10 Hz ile 150 Hz -1 oktav/dk. 2s / 3 eksende	

Pressure Gauges / Capsule Diaphragm Gauges / Standard Types / Ø 100 mm.



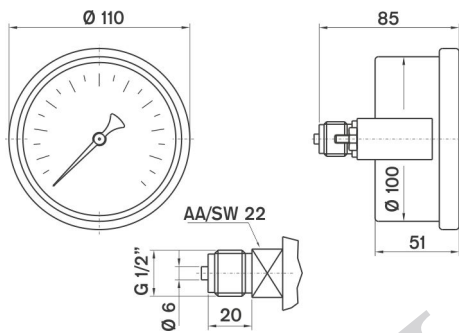
Model No: MC100DRM1

Bottom Connection



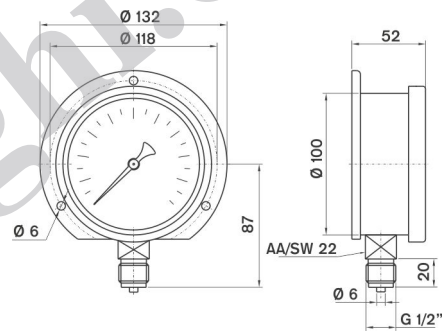
Model No: MC100DRM2

Back Connection



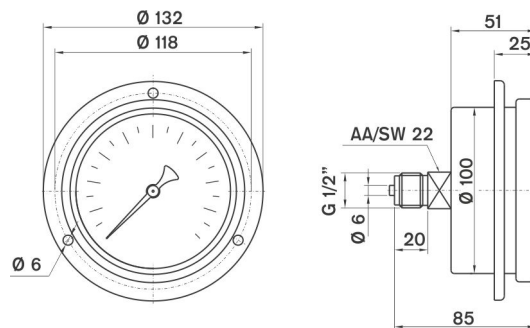
Model No: MC100DRM3

Back Connection Panel Mounted



Model No: MC100DRM6

Bottom Connection with Back Flange



Model No: MC100DRM8

Back Connection with Front Flange